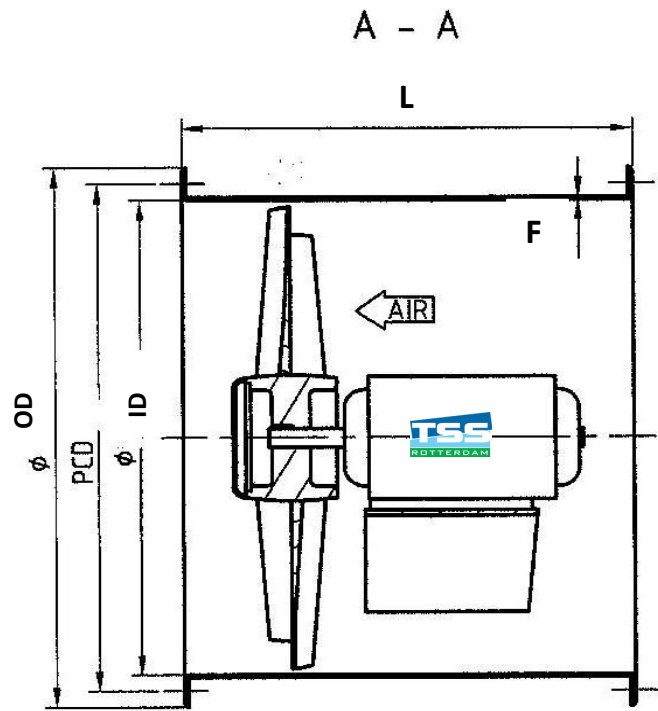
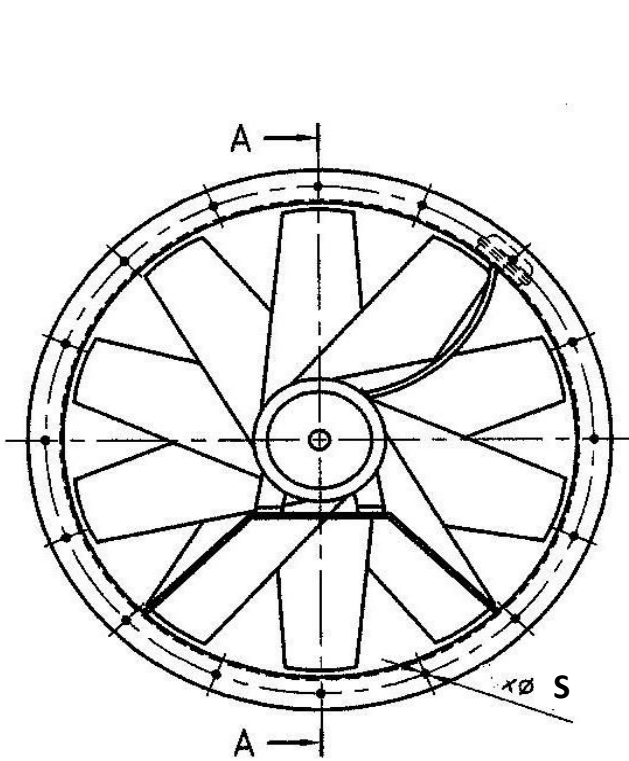


REQUISITIONFORM AXIAL FLOWFAN



Fan details:	
Make	
Type	
Air quantity	m ³ /hr
Static pressure	Pa
Fan speed	rpm
Power consumption	kW
Impeller blade angle	grd

Electricmotor details:	
Make	
Type	
Power	kW
Speed	rpm
Power supply	V/Hz

Dimension fan:			
OD	mm	L	mm
PCD	mm	S (diameter holes)	mm
ID	mm	S (quantity holes)	
L	mm	F	mm

Remarks: