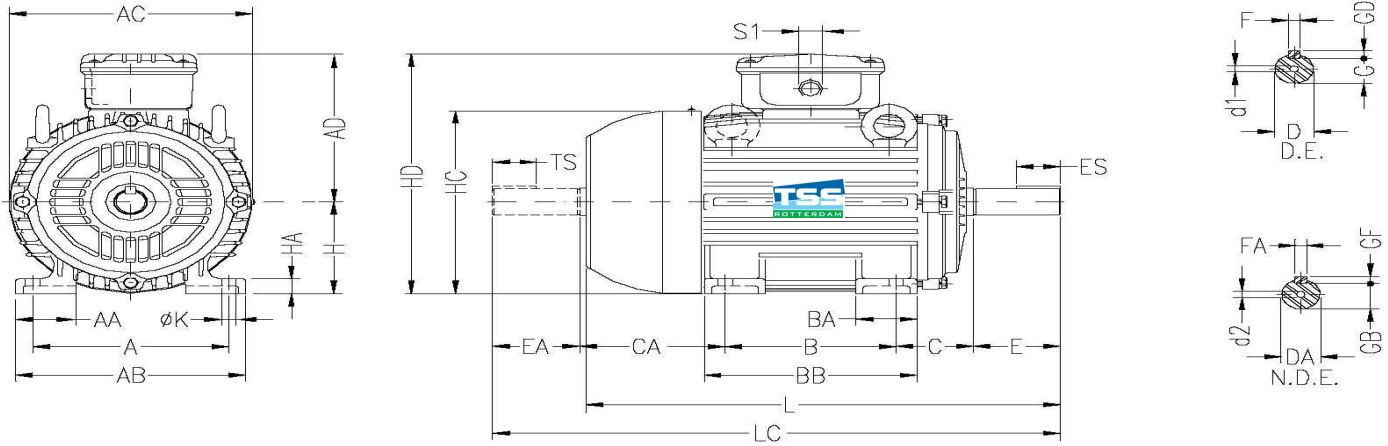
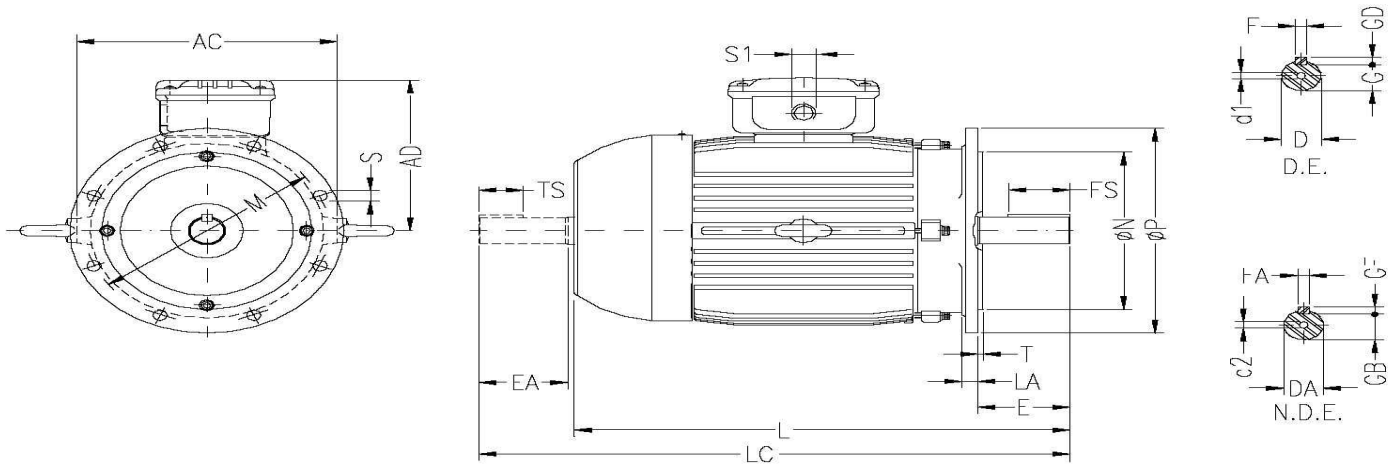


**Footmounted**



**Flangemounted**



Please fill out at least below dimensions

Construction	Terminalbox location				TOP	LEFT*	RIGHT*	Please mark correct box	
							*seen against driven shaft end		
B3	B3/B5	B3/B14	B5	B14	Second shaft end				
					Yes	No	Please mark correct box		

Footmounted IMB3 (IM1001)

A	B	C	D	E	F	G	H	
								mm

Flangemounted

P	M	N	S	Qty S				
								mm

If the motor is located in a tight space please fill out below dimensions

L	HD	AC	AD					
								mm

Motor details from nameplate

Manufacturer	Type	Power	Speed	Voltage	Freq.	IP class

Additional info: